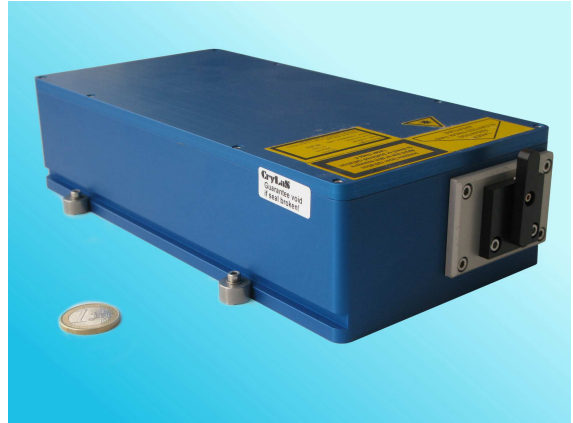


# MOPA 532-250

Diode pumped passively Q-switched solid state laser

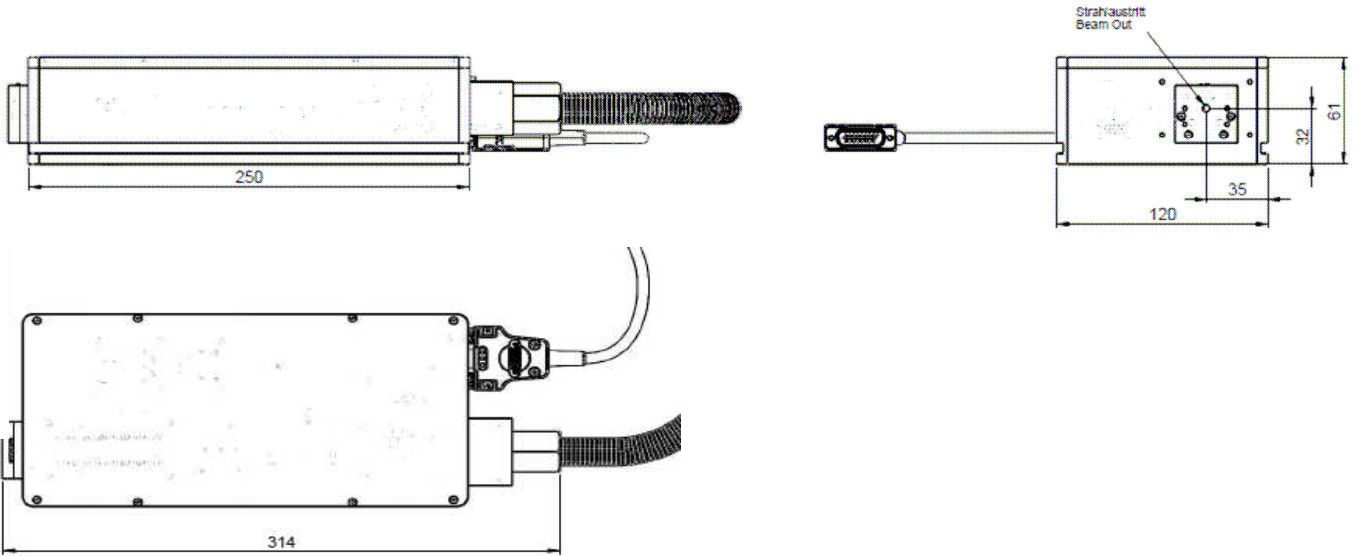
- 532 nm
- Single Pulse
- $\leq 1.2$  ns
- 1 – 1000 Hz
- $> 250$   $\mu$ J
- External/ Internal Trigger Mode



## biology · biomedicine · chemistry · analytics

<b>Optical Data</b>	Wavelength	532 nm
	Peak Power	$> 200$ kW @ 1000 Hz
	Pulse Energy	$> 250$ $\mu$ J @ 1000 Hz
	Beam Divergence (full angle)	$< 3.0$ mrad
	Beam Ellipticity	$< 2:1$
	Beam Diameter	$0.7 \pm 0.3$ mm (at laser exit)
	Spatial Mode	TEM <sub>00</sub>
	Pulse Repetition Rate (with external trigger)	1 - 1000 Hz
	Pulse Width (FWHM)	$\leq 1.2$ ns
	Polarization Ratio	$> 100:1$ , vertical
	Pulse Energy Stability (averaged over 8 hrs)	$\pm 3$ %
	Pulse-to-Pulse Energy Stability (over 60 sec)	$\pm 3$ % ( $< 1$ % rms)
	Laser Classification	3B / III
<b>Optical Output</b>	Free Beam	
<b>Electrical Data</b>	Electrical Power Consumption	$< 150$ W
	Line Voltage	90 - 265 V AC (50-60 Hz)
<b>Interface</b>	USB	
	BNC connector for external triggering (TTL)	
	SMB connector for 24 V DC output	
<b>Miscellaneous</b>	Warm-up Time	$< 10$ min
	Operating Temperature	18 - 38 °C
	Laser Head Size	61 x 120 x 314 mm (H x W x L)
	Stand-Alone Unit Size	184 x 343 x 375 mm (H x W x L)
<b>Options</b>	Multimode fiber coupling	
	Synchronization signal output (rise time $< 2$ ns)	
	Electrical or manual wavelength switch (532nm – 1064nm) or electrical beam blocker	
	External telescope (beam expander) / Electrical or manual attenuator on request	

## Laser Head and Controller

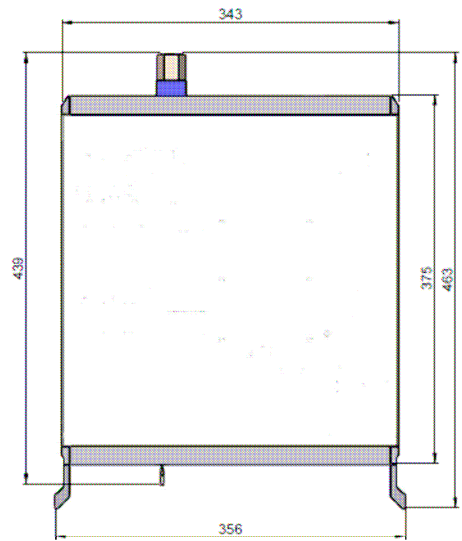


Laser Head  
(height = 61; width = 120; length = 314  
core dimensions in mm )



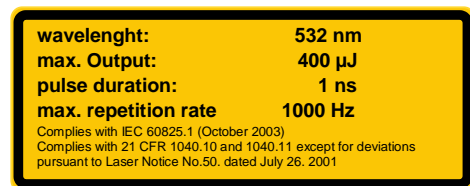
1:4

Controller  
(height = 184; width = 343; length = 375  
core dimensions in mm )



## Laser Safety Labels

The MOPA 532-250 lasers are class 3B according to IEC 60825-1



Aug, 2012