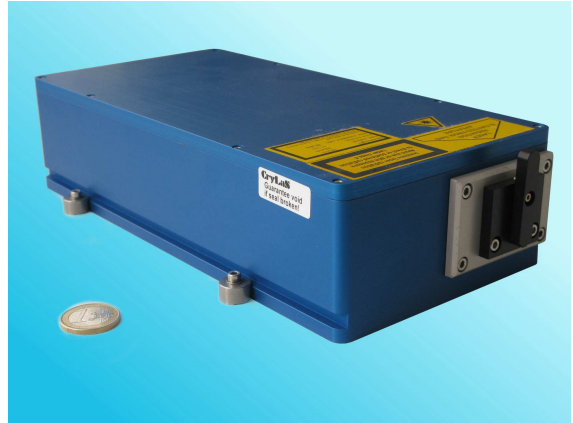


MOPA 266-200mW

Diode pumped passively Q-switched solid state laser

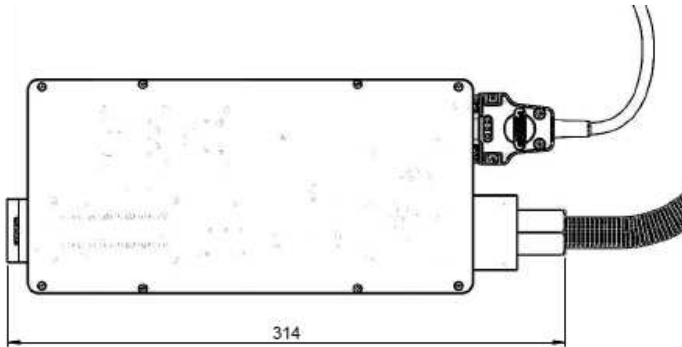
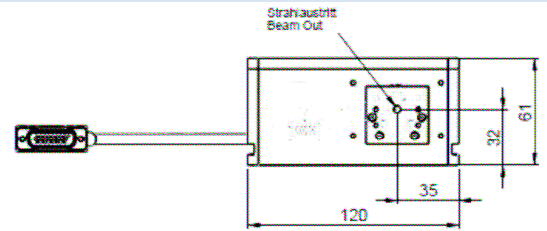
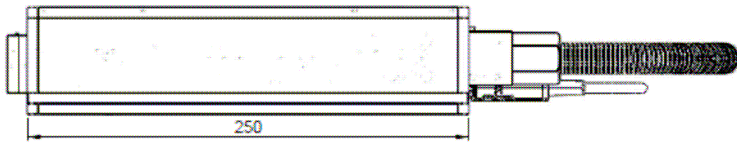
- 266 nm
- Single Pulse
- ≤ 1.0 ns
- 1 – 20 kHz
- > 200 mW
- External / Internal Trigger Mode



biology · biomedicine · chemistry · analytics

Optical Data	Wavelength	266 nm
	Average Power	> 200 mW @ 15 kHz
	Pulse Energy	> 15 μ J @ 15 kHz
	Beam Divergence (full angle)	< 2.0 mrad
	Beam Ellipticity	< 2:1
	Beam Diameter	1.0 \pm 0.3 mm (at laser exit)
	Spatial Mode	TEM ₀₀
	Pulse Repetition Rate (with external trigger)	1 Hz - 20 kHz
	Pulse Width (FWHM)	≤ 1.0 ns
	Polarization Ratio	> 100:1, vertical
	Pulse Energy Stability (averaged over 8 hrs)	< ± 3 % @ 15 kHz
	Pulse-to-Pulse Energy Stability (over 60 sec)	< ± 8 % (< 2.5 % rms)
	Laser Classification	4 / IV
Optical Output	Free Beam	
Electrical Data	Electrical Power Consumption	< 250 W
	Line Voltage	90 - 265 V AC (50-60 Hz)
Interface	USB	
	BNC connector for external triggering (TTL)	
	SMB connector for 24 V DC output	
Miscellaneous	Warm-up Time	< 10 min
	Operating Temperature	18 - 38 °C
	Laser Head Size	61 x 120 x 314 mm (H x W x L)
	Stand-Alone Unit Size	184 x 343 x 375 mm (H x W x L)
Options	External telescope (beam expander)	
	Manual attenuator	
	Synchronization signal output (rise time < 2 ns)	
	Electrical or manual wavelength switch (266nm – 532nm) or electrical beam blocker	

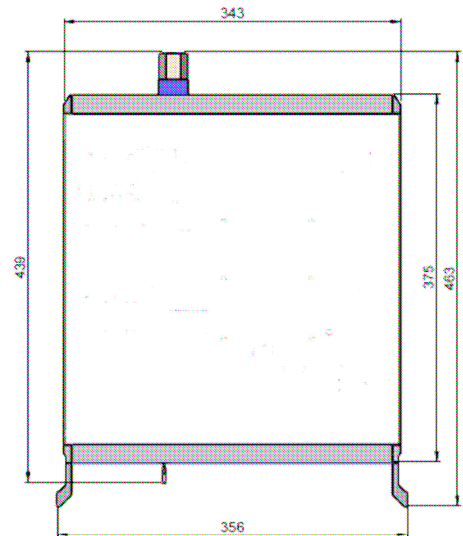
Laser Head and Controller



Laser Head
(height = 61; width = 120; length = 314
core dimensions in mm)



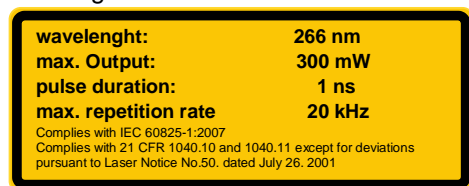
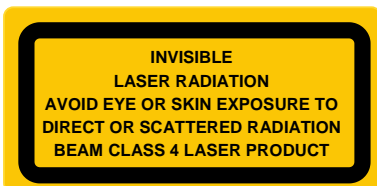
1:4



Controller
(height = 184, width = 343; length = 375
core dimensions in mm)

Laser Safety Labels

The MOPA 266-200mW lasers are class 4 / IV according to IEC 60825-1:2007



Complies with IEC 60825-1:2007
Complies with 21 CFR 1040.10 and 1040.11 except for deviations
pursuant to Laser Notice No.50, dated July 26, 2001