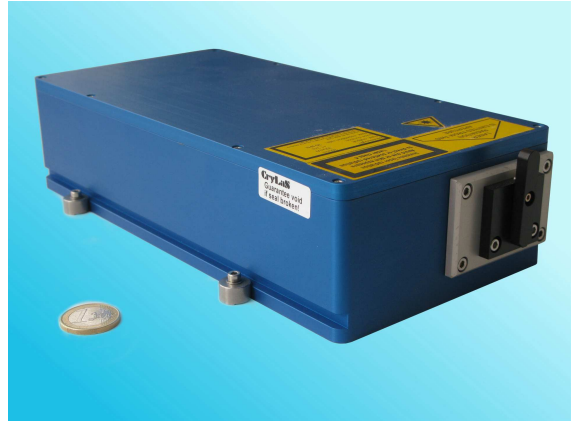


# MOPA1064-2000mW

Diode pumped passively Q-switched solid state laser

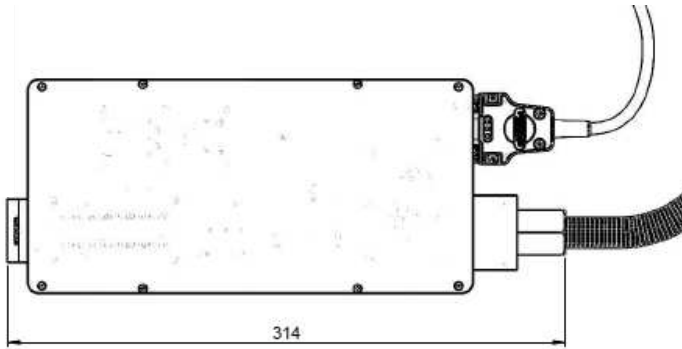
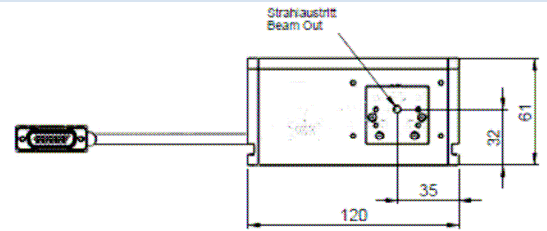
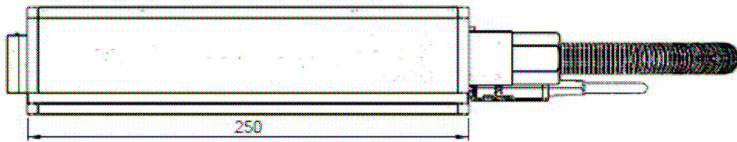
- 1064 nm
- Single Pulse
- $\leq 1.5$  ns
- 1 – 20 kHz
- > 2000 mW
- External / Internal Trigger Mode



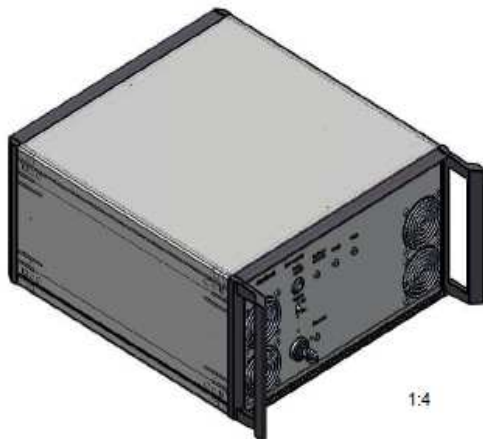
## biology · biomedicine · chemistry · analytics

<b>Optical Data</b>	Wavelength	1064 nm
	Average Power	> 2000 mW @ 15 kHz
	Pulse Energy	> 130 $\mu$ J @ 15 kHz
	Beam Divergence (full angle)	< 5.0 mrad
	Beam Ellipticity	< 2:1
	Beam Diameter	0.7 $\pm$ 0.3 mm (at laser exit)
	Spatial Mode	TEM <sub>00</sub>
	Pulse Repetition Rate (with external trigger)	1 Hz - 20 kHz
	Pulse Width (FWHM)	$\leq 1.5$ ns
	Polarization Ratio	> 100:1, vertical
	Pulse Energy Stability (averaged over 8 hrs)	< $\pm 5$ % @ 15 kHz
	Pulse-to-Pulse Energy Stability (over 60 sec)	< $\pm 8$ % (< 2.5 % rms)
	Laser Classification	4 / IV
<b>Optical Output</b>	Free Beam	
<b>Electrical Data</b>	Electrical Power Consumption	< 250 W
	Line Voltage	90 - 265 V AC (50-60 Hz)
<b>Interface</b>	USB	
	BNC connector for external triggering (TTL)	
	SMB connector for 24 V DC output	
<b>Miscellaneous</b>	Warm-up Time	< 10 min
	Operating Temperature	18 - 38 $^{\circ}$ C
	Laser Head Size	61 x 120 x 314 mm (H x W x L)
	Stand-Alone Unit Size	184 x 343 x 375 mm (H x W x L)
<b>Options</b>	Multimode fiber coupling	
	Synchronization signal output (rise time < 2 ns)	
	Electrical beam blocker	
	External telescope (beam expander) / Electrical or manual attenuator	

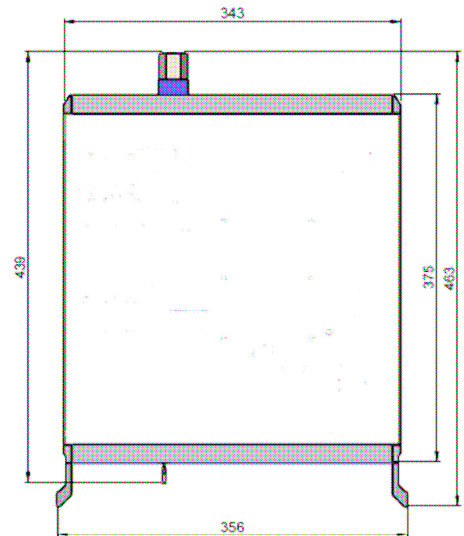
## Laser Head and Controller



Laser Head  
(height = 61; width = 120; length = 314  
core dimensions in mm )



Controller  
(height = 184, width = 343; length = 375  
core dimensions in mm )



## Laser Safety Labels

The MOPA 1064-2000mW lasers are class 4 / IV according to IEC 60825-1:2007

