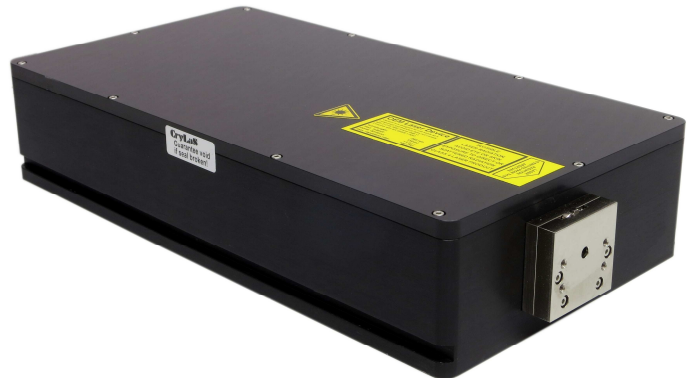


eMOPA 266-40

Diode pumped passively Q-switched solid state laser

- 266 nm
- Single Pulse
- < 1.0 ns
- single shot (pulse on demand) – 1 kHz
- > 40 μ J
- External/ Internal Trigger

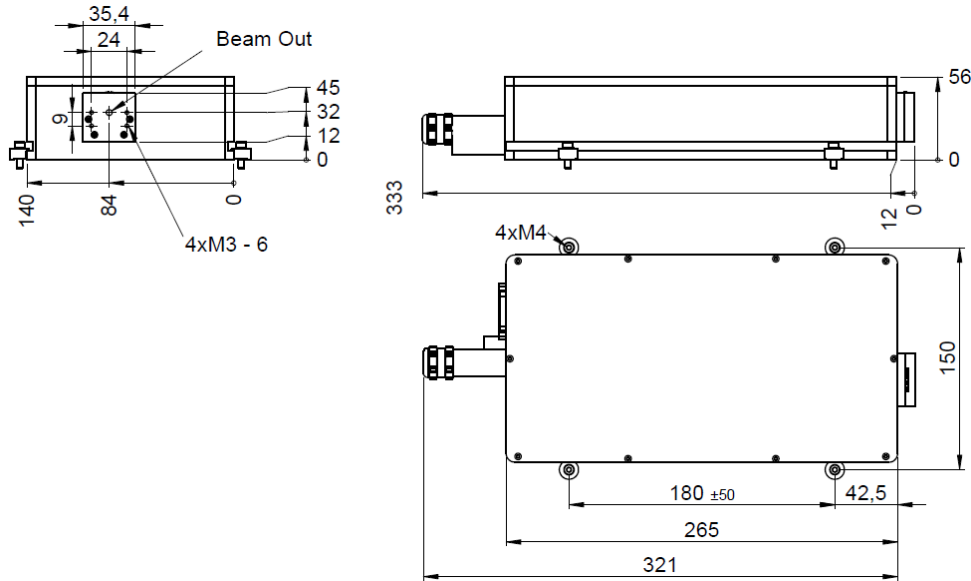


biology · biomedicine · chemistry · analytics

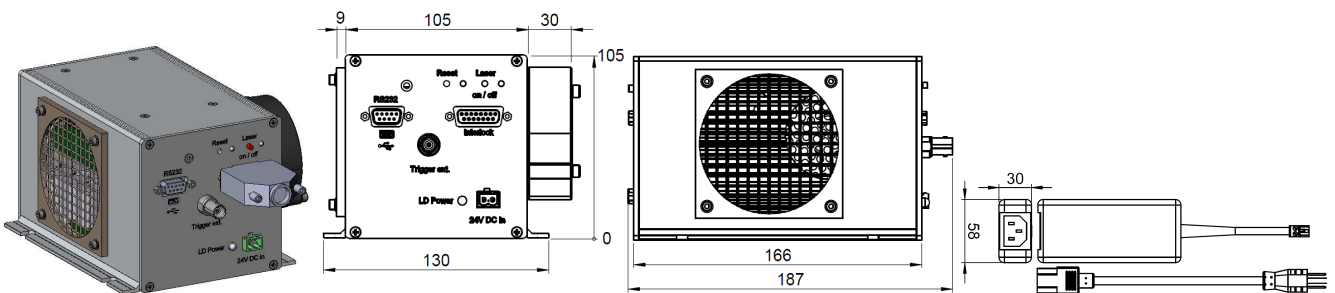
Optical Data	Wavelength	266 nm
	Peak Power	> 40 kW @ 1000 Hz
	Pulse Energy	> 40 μ J @ 1000 Hz
	Beam Divergence (full angle)	< 1.5 mrad
	Beam Ellipticity	< 1.5:1
	Beam Diameter	0.8 \pm 0.3 mm (at laser exit)
	Spatial Mode	TEM ₀₀
	Pulse Repetition Rate (with external trigger)	single shot (pulse on demand) – 1 kHz
	Pulse Width (FWHM)	< 1.0 ns
	Polarization Ratio	> 100:1, vertical
	Pulse Energy Drift over 6h ¹⁾	< \pm 3 %
	Pulse-to-Pulse Energy Stability ²⁾	< 2%
	Laser Classification	4 / IV
Optical Output	Free Beam	
Electrical Data	Electrical Power Consumption	< 100 W
	Line Voltage	90 - 265 V AC (50-60 Hz)
Interface	USB / RS232	
	BNC connector for external triggering (TTL)	
	SMB connector for 24 V DC output	
Miscellaneous	Warm-up Time	< 10 min
	Operating Temperature	22 - 32 °C
	Laser Head Size	56 x 140 x 265 mm (H x W x L)
	Stand-Alone Unit Size	129,5 x 177 x 180 mm (H x W x L)
Options	Multimode fiber coupling	
	Synchronization signal output (rise time < 1.5 ns)	
	Electrical or manual wavelength switch (266nm – 532nm) or electrical beam blocker	
	External telescope (beam expander)	
¹⁾ Averaged over 10s after 10min of continuous operation @ 1kHz activated closed loop control ²⁾ Over 1000 pulses @ 1kHz after 10min of continuous operation		

Dimensions

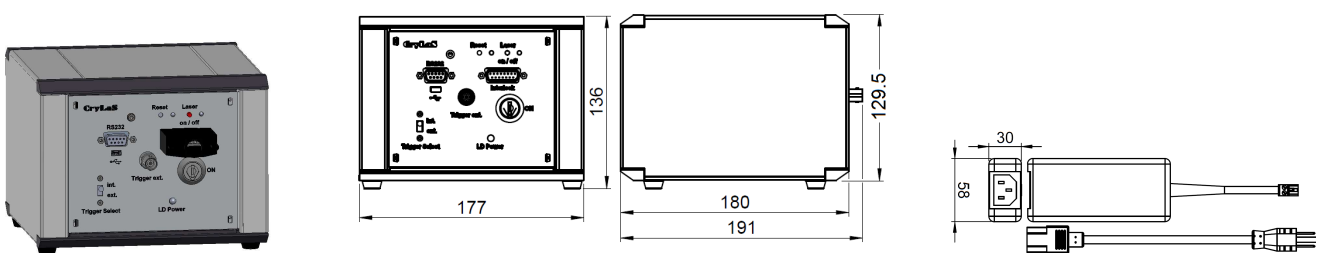
Laser Head: 265 x 140 x 56 mm



Controller OEM: 166 x 144 x 105 mm



Controller Stand-Alone: 180 x 177 x 129.5 mm



Laser Safety Labels

The eMOPA 266-40 lasers are class 4 according to IEC 60825-1

wavelength:	266 nm
max. Output:	150 µJ
pulse duration:	0.7 ns
max. repetition rate	1000 Hz
<small>Complies with IEC 60825-1:2007 Complies with 21 CFR 1040.10 and 1040.11 except for deviations pursuant to Laser Notice No.50, dated July 26, 2001</small>	

INVISIBLE
LASER RADIATION
AVOID EYE OR SKIN EXPOSURE TO
DIRECT OR SCATTERED RADIATION
BEAM CLASS 4 LASER PRODUCT

